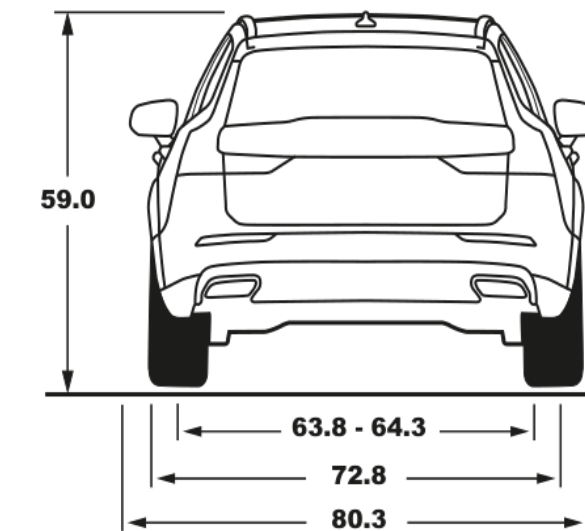
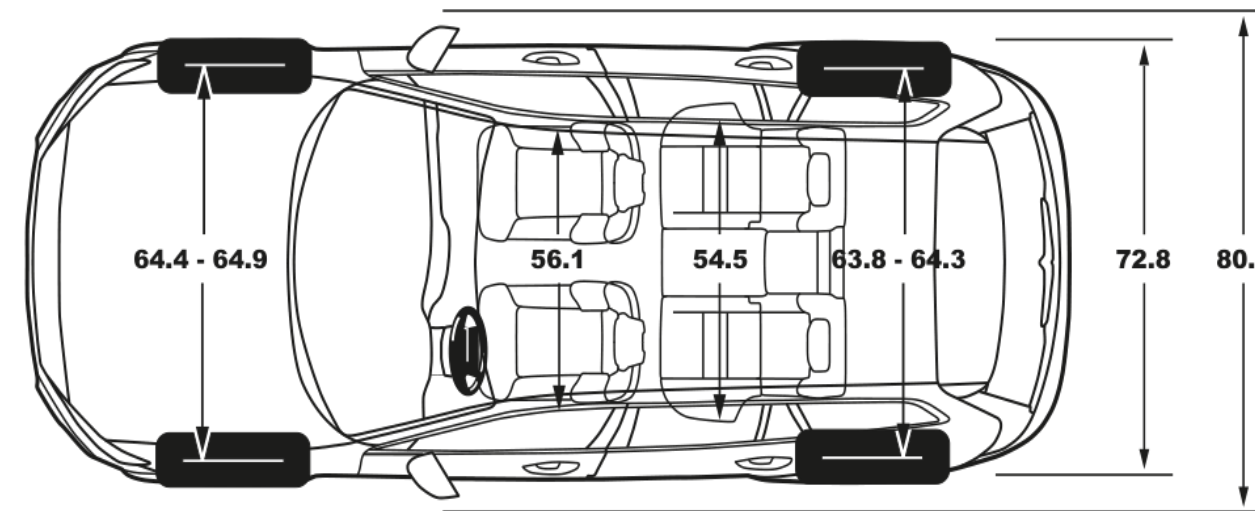
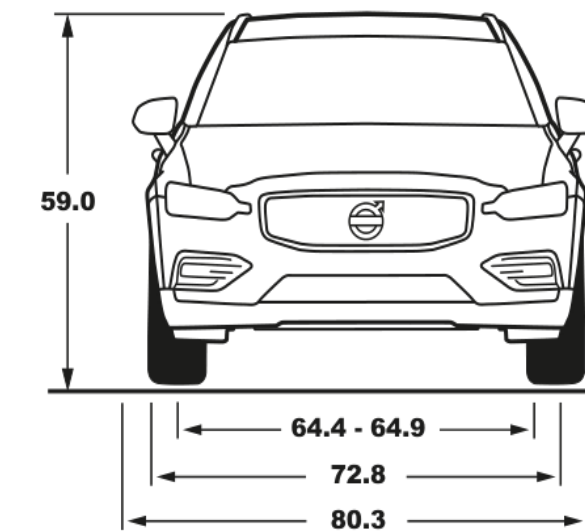
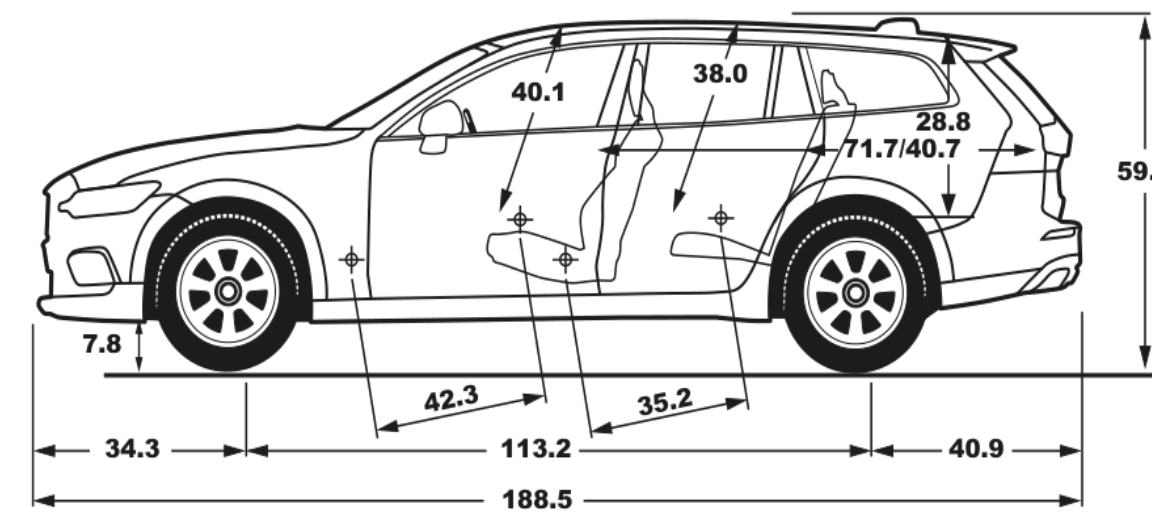


# U.S. Technical Highlights

V O L V O

2025 Volvo V60 Cross Country

<b>MPG, city*</b>	24 MPG
<b>MPG, highway*</b>	31 MPG
<b>MPG, combined*</b>	27 MPG
<b>Power</b>	247 hp
<b>Torque</b>	258 lb-ft
<b>Engine</b>	Direct injected turbocharged
<b>Drivetrain</b>	AWD
<b>Cylinders</b>	4
<b>Ground clearance</b>	8.1 in
<b>0-60 mph</b>	6.4 sec
<b>Maximum towing capacity</b>	2,000 lbs
<b>Cargo Capacity (SAE-max)</b>	60.5 ft <sup>3</sup>
<b>Curb weight</b>	4,082 lbs



\*Range is according to EPA driving cycles and real-world range may vary.

\*EPA estimated range is 24 MPG city/31 MPG highway/27 MPG combined. Your actual range will vary for many reasons, including but not limited to, driving conditions, how and where you drive, how you maintain your vehicle, battery-package/condition, and other factors.